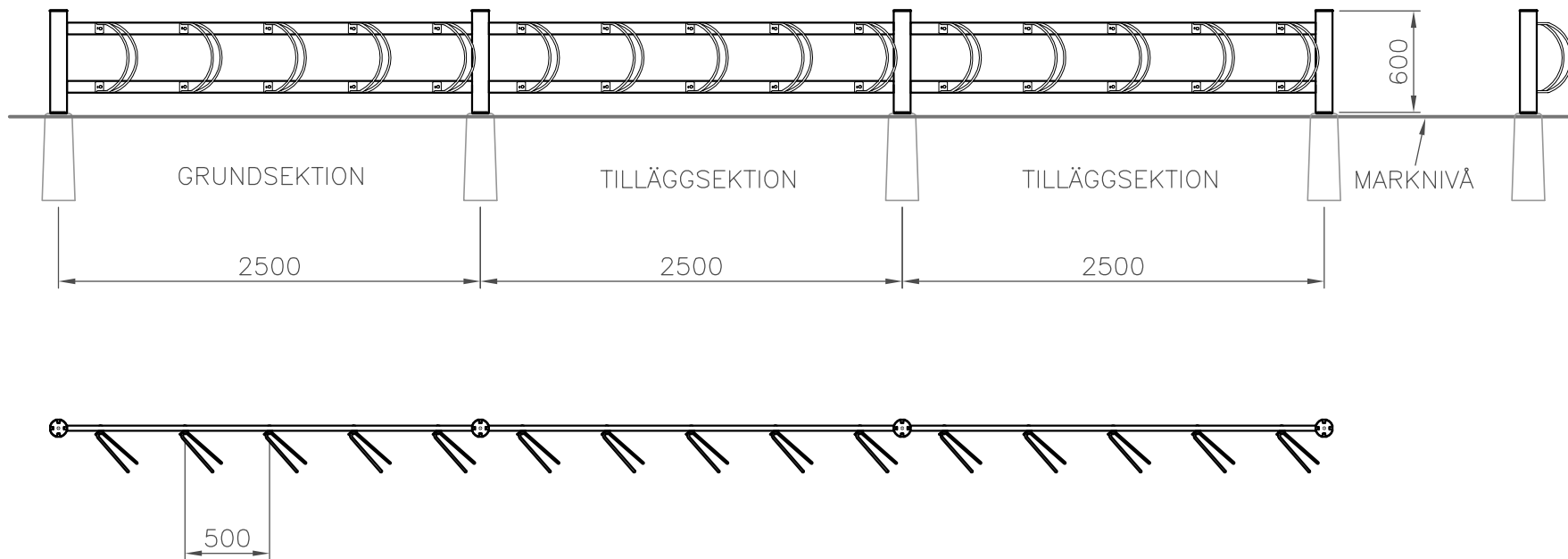



WELAND ALUMINIUM AB

This document must not be copied without our written permission and the contents thereof must not be imparted to a third party nor be used for any unauthorized purpose. Contravention will be prosecuted.



—	—	—	—	—	—	—	—	—
Det.nr	Ant.	Benämning			Material	Mod.nr.ämne dimension		Anm.
Konstr.	Ritad	AL	Kop.	Kontr.	Stand.	Format	Skala	Generell tolerans
—	—	—	—	—	—	A4	1:40	—
 <b>OMNI TRAFIKMILJÖ</b> BJÖRNSTORPSVÄGEN 2 342 30 ALVESTA				BIKE cykelställ med lock enkelmonterad, vinklad hjulhållare 500 c/c			Objektnummer	Datum
							—	20150119
Nr.	Ant.	Ändring och/eller medd.-nr	Datum	Inf.	Godk.	Ritningsnummer	Rev.	
—	—	—	—	—	—	BIKE 25 V	—	

Nr.	Ant.	Ändring och/eller medd.-nr	Datum	Inf.	Godk.
—	—	—	—	—	—