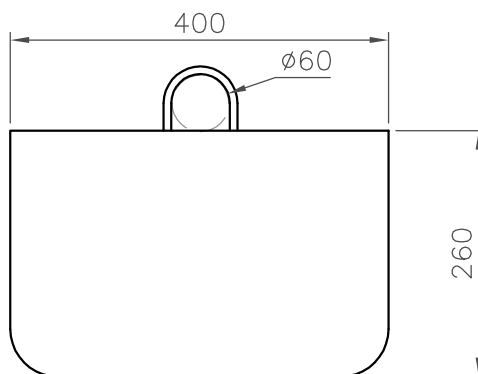
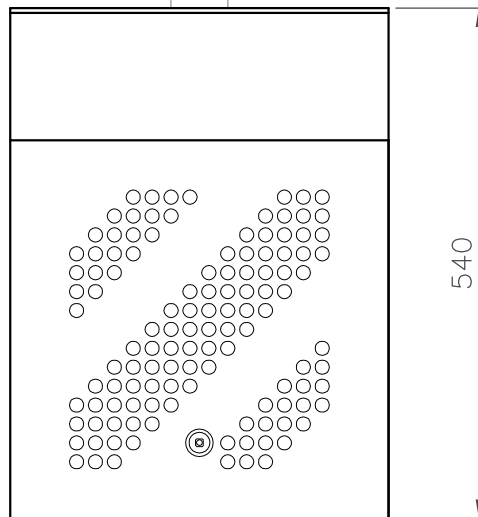
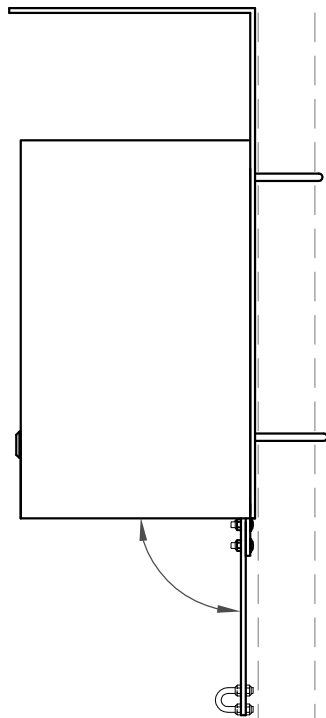



WELAND ALUMINIUM AB
 This document must not be copied without our written permission and
 the contents thereof must not be imparted to a third party nor be
 used for any unauthorized purpose. Contravention will be prosecuted.

Nr.	Ant.	Ändring och/eller medd.-nr	Datum	Inf.	Godk.
-----	------	----------------------------	-------	------	-------



-		-		-		-		-	
Det.nr	Ant.	Benämning			Material	Mod.nr ämne Dimension	Anm.		
Konstr. -	Ritad AÅ	Kop. -	Kontr. -	Stand. -	Format A4	Skala 1:8	Generell tolerans -		
 OMNI TRAFIKMILJÖ BJÖRNSTORPSVÄGEN 2 TFN 0472-44500 342 30 ALVESTA FAX 0472-40029		HEDE PAPPERSKORG				Objektnummer	Datum		
		- 500-10001000				-	20121114		Ritningsnummer
HEDE Papperskorg							-		