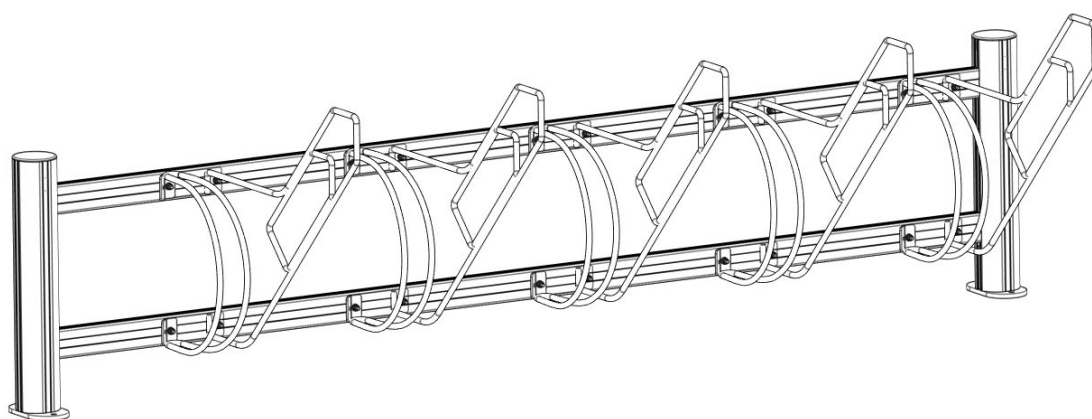
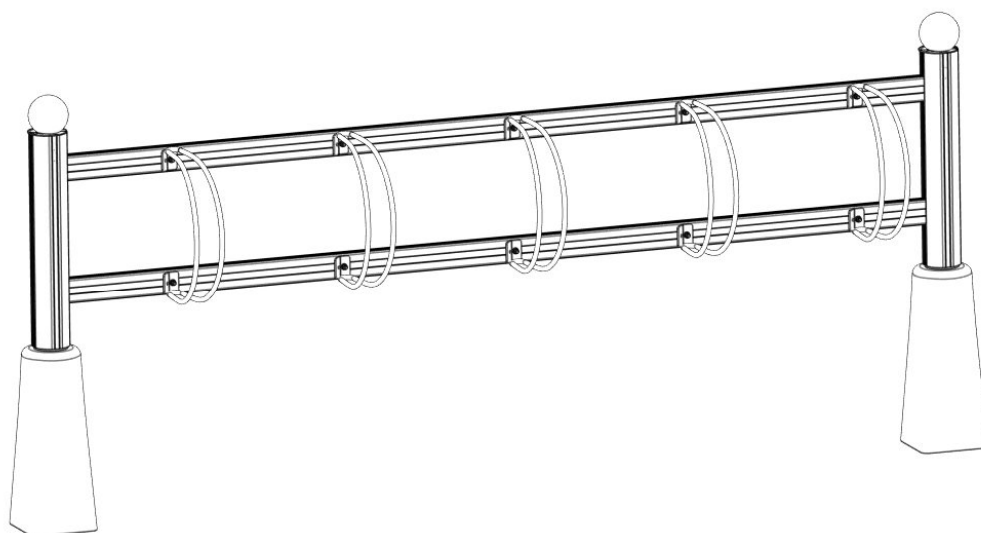


# BIKE

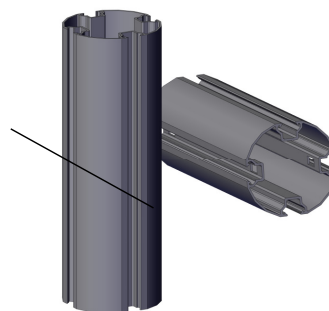
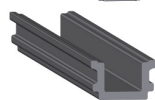
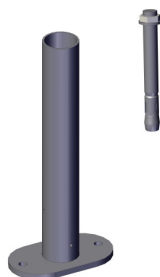
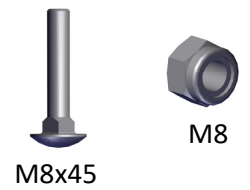
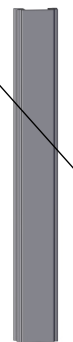
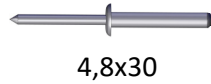
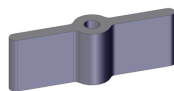
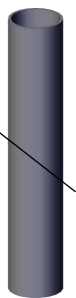
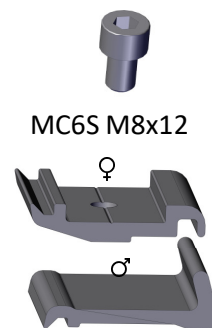
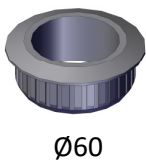
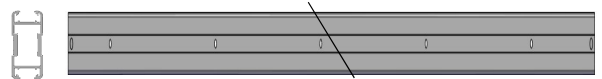
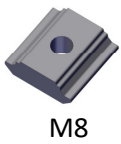
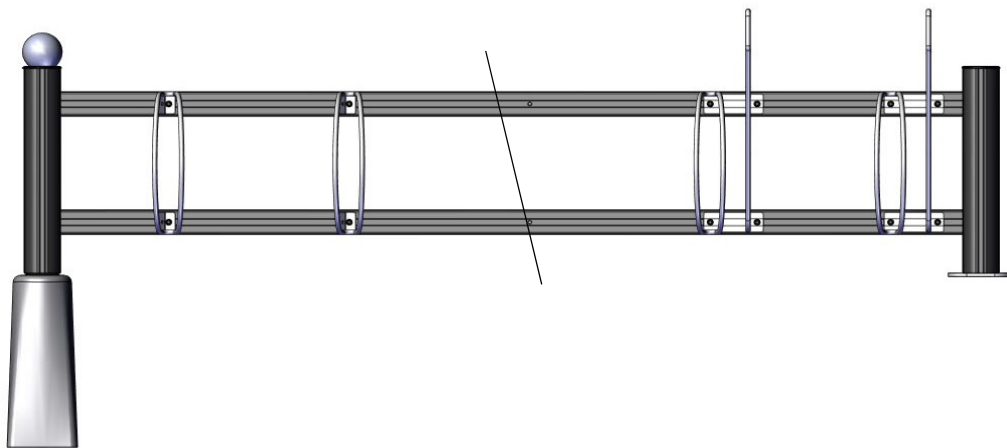
## Monteringsanvisning



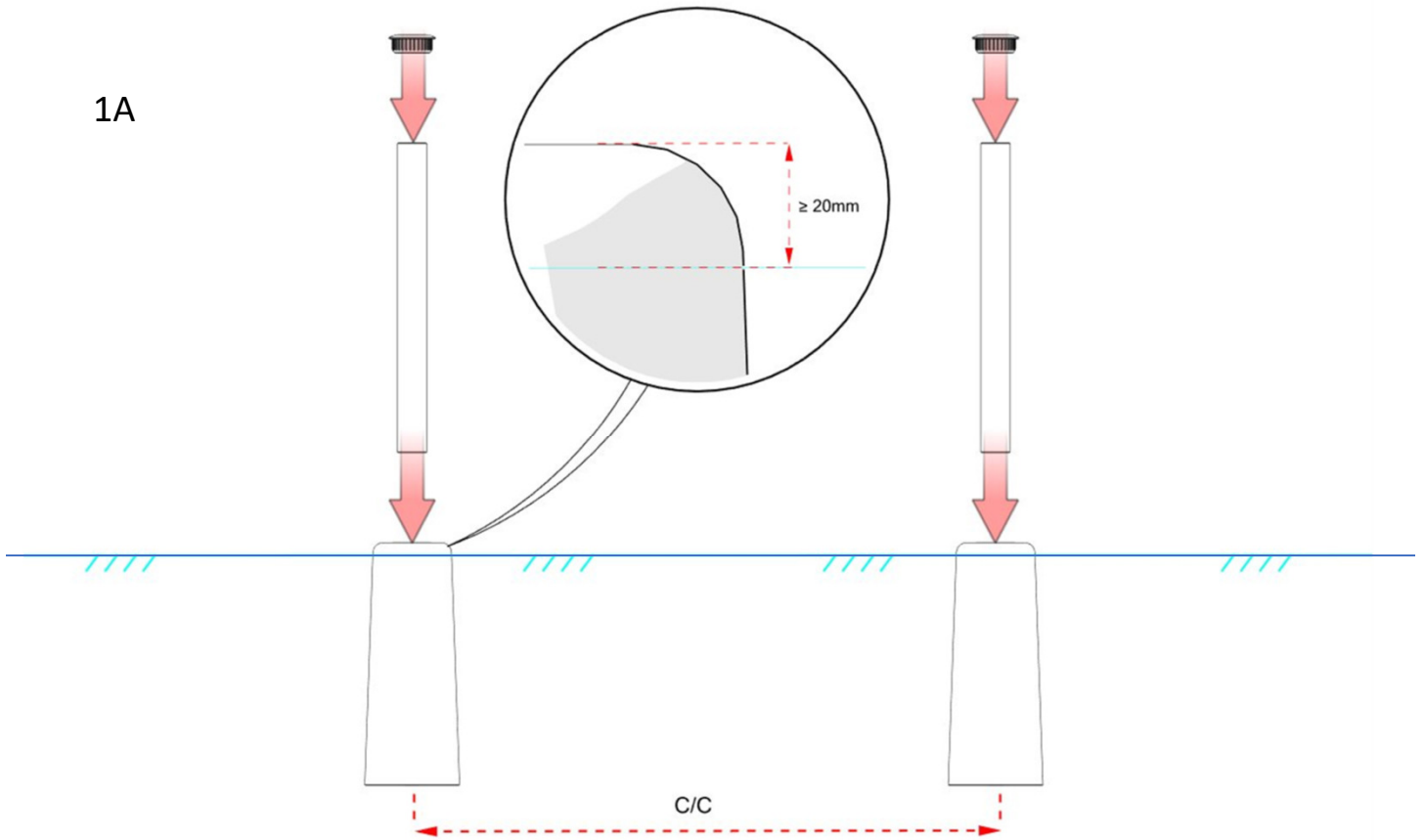
**WELAND ALUMINIUM AB**

Björnstorpsvägen 2, SE-342 30 ALVESTA

Tfn: +46(0)472-445 00

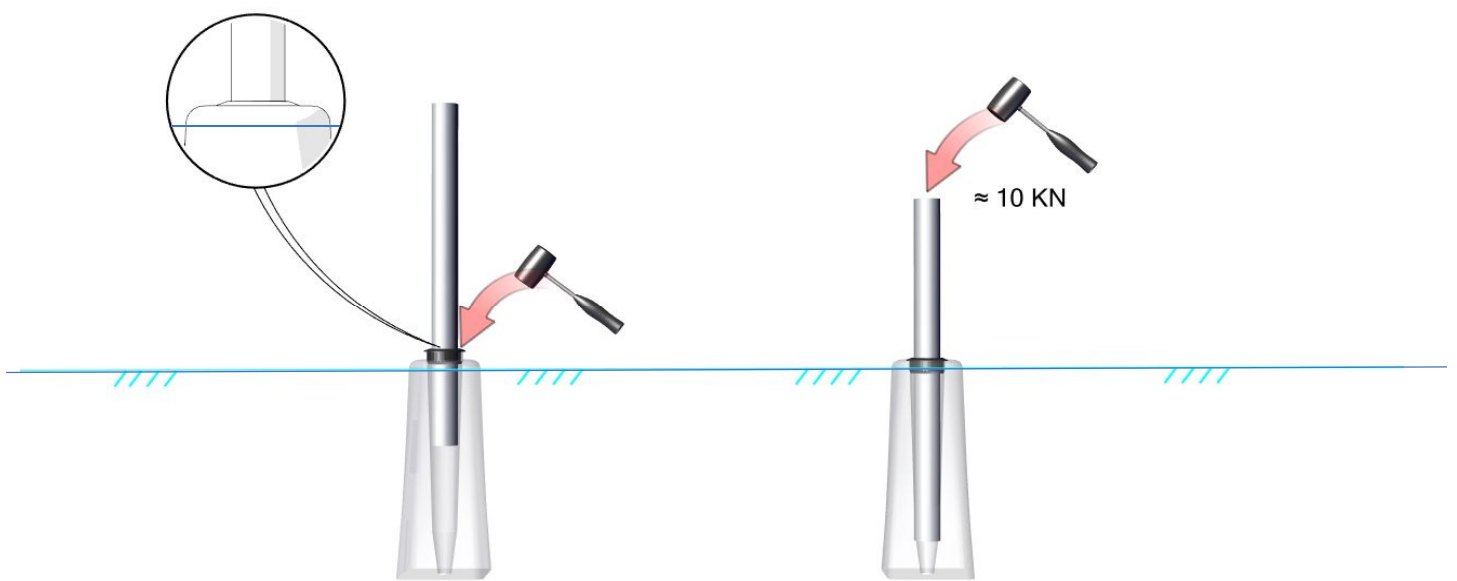


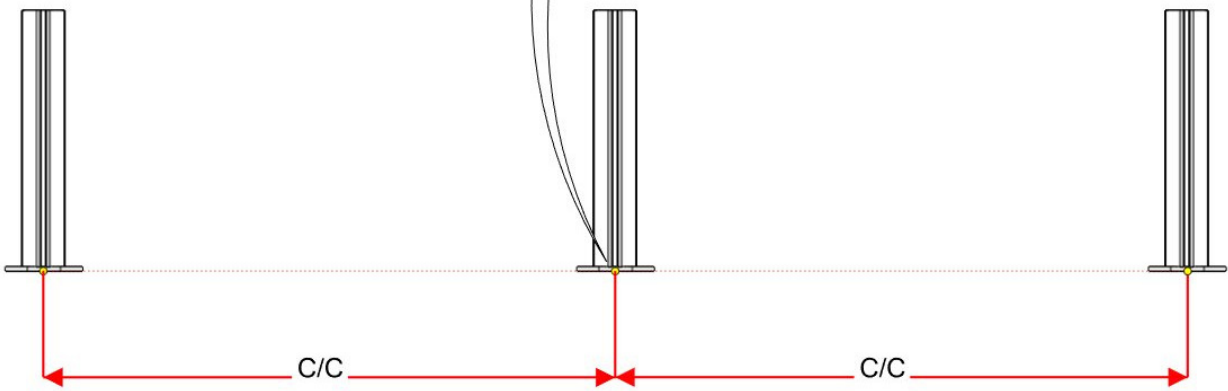
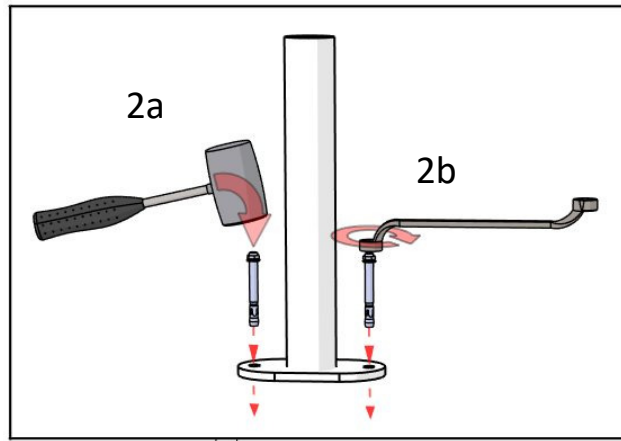
1A



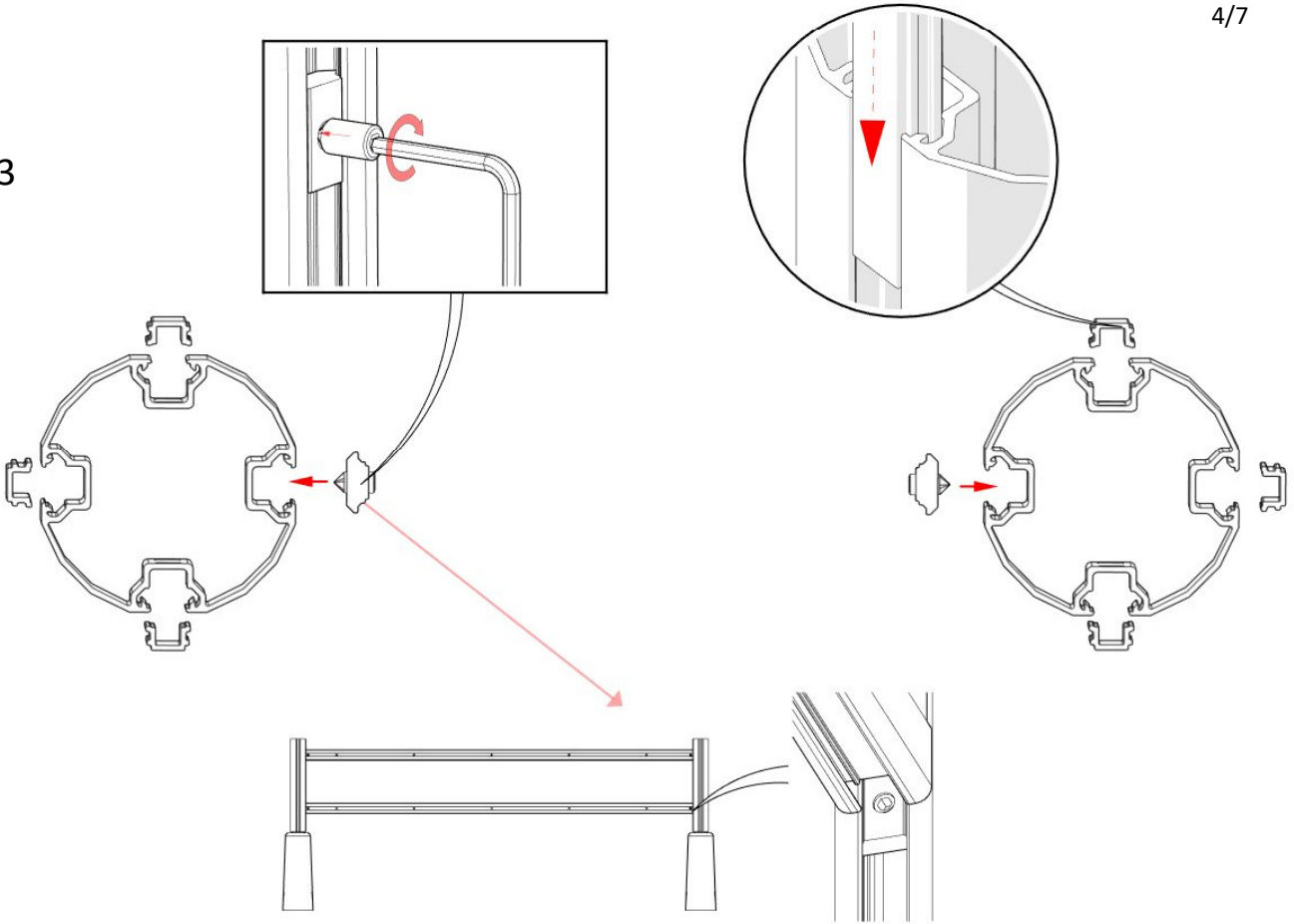
1B

1C

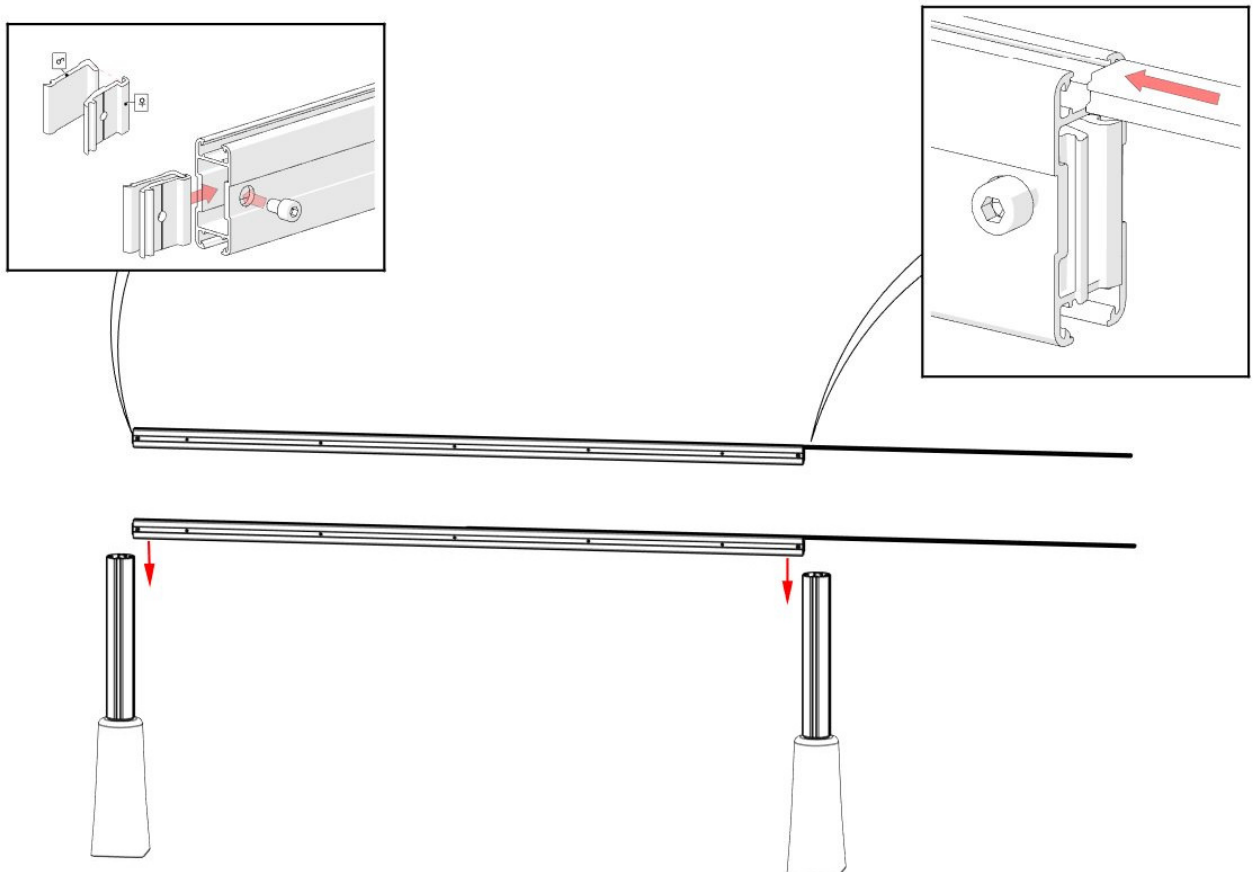


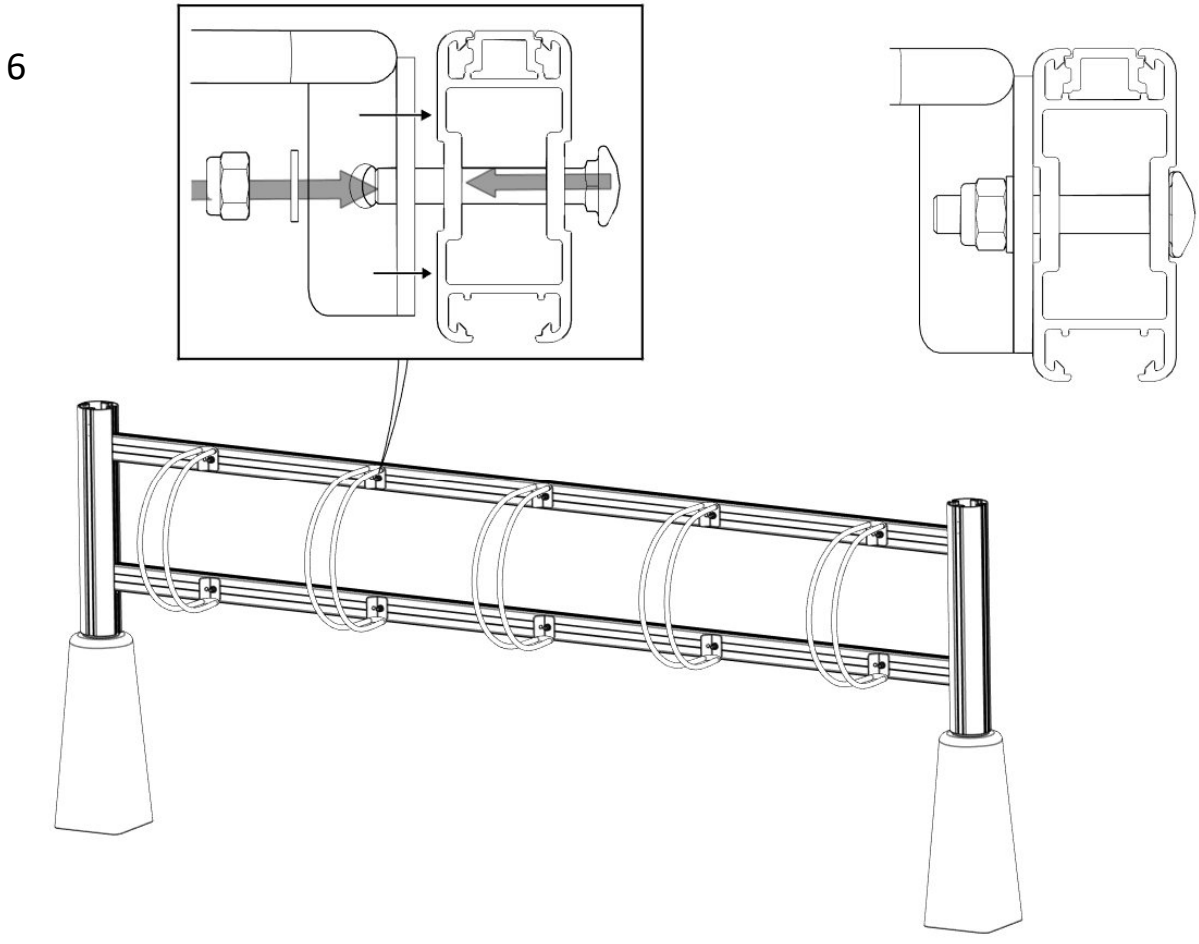
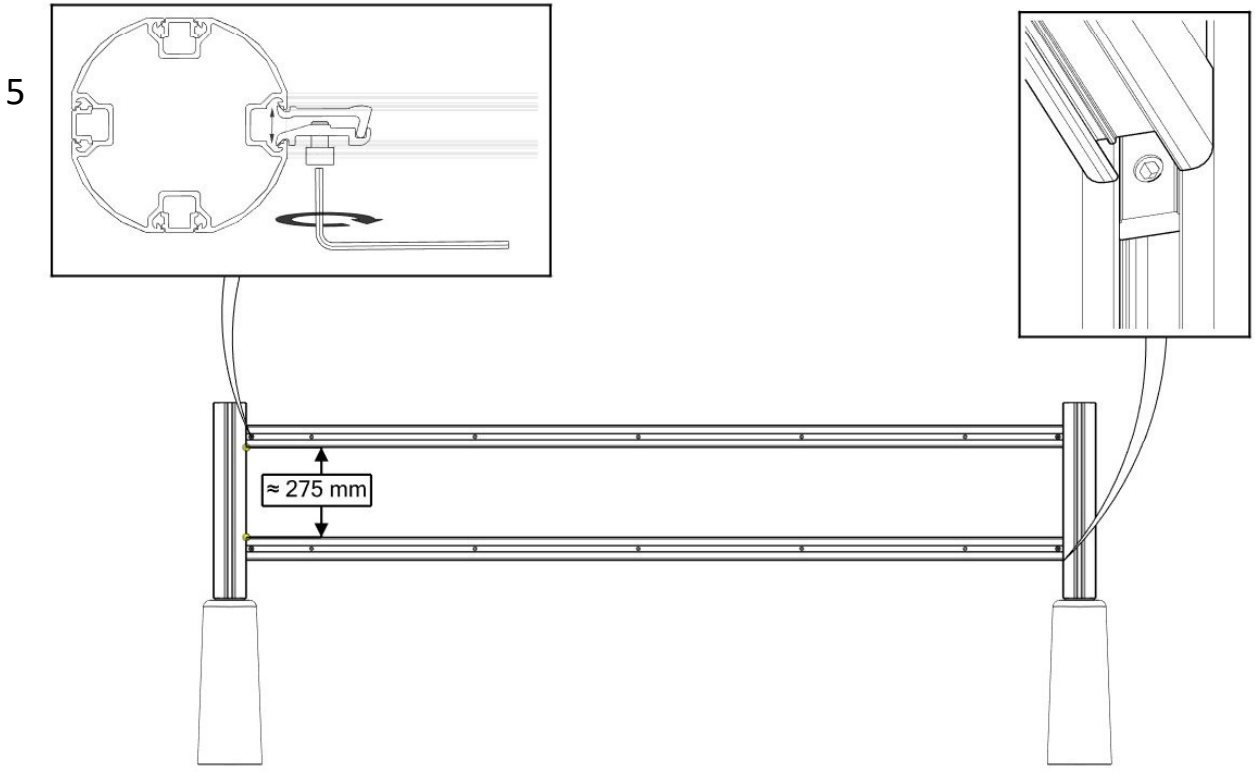


3

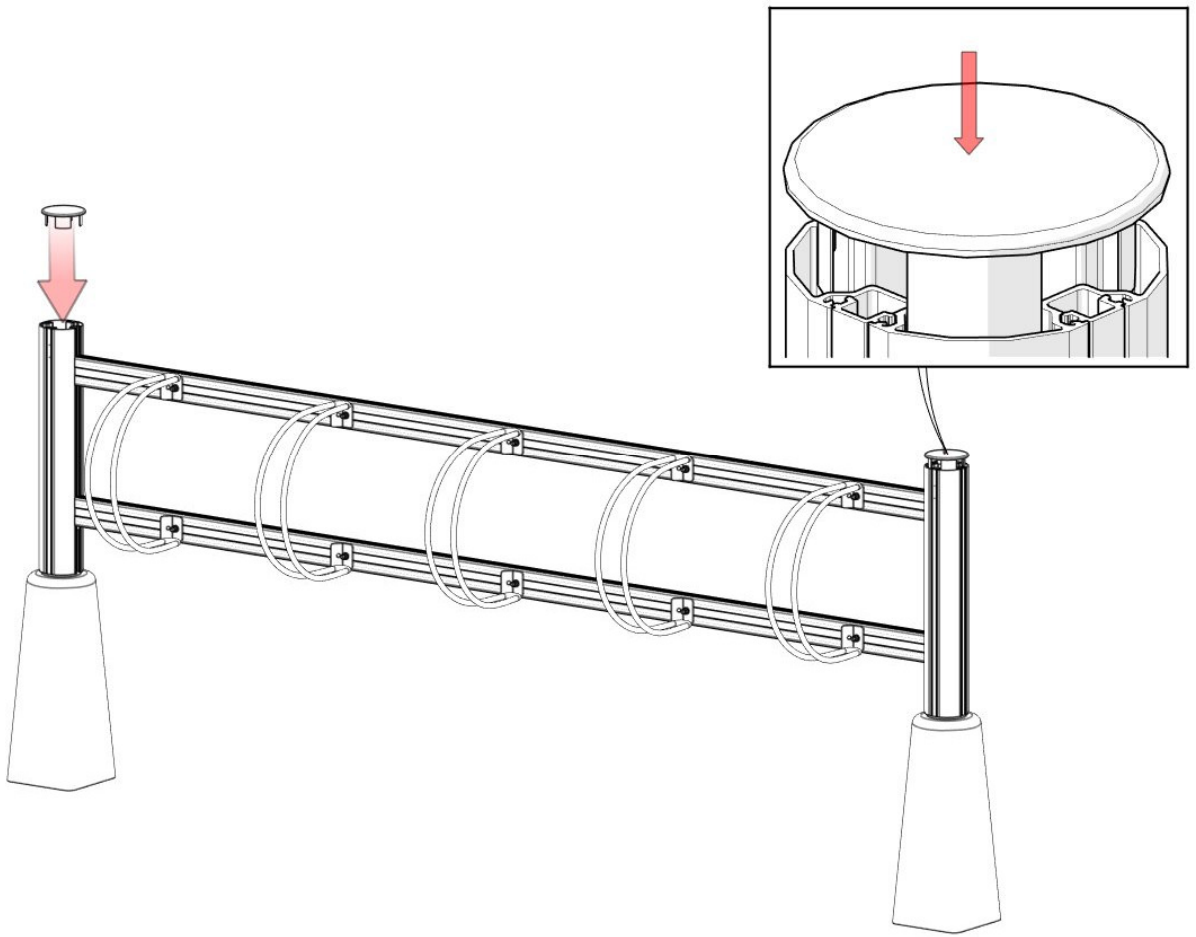


4





7A



7B

