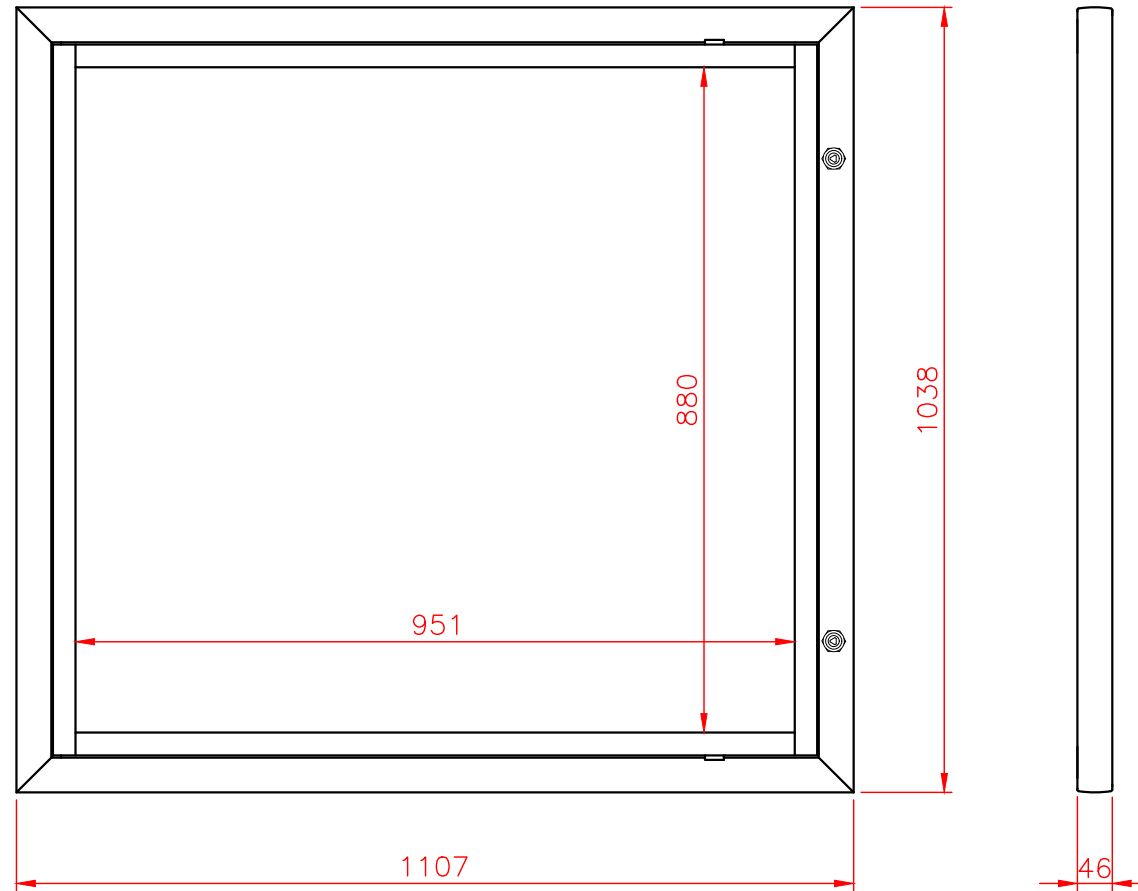



This document must not be copied without our written permission and the contents thereof must not be imparted to a third party nor be used for any unauthorized purpose. Contravention will be prosecuted.



-	-	-	-	-	-	-	-	-
Det.nr	Ant.	Benämning			Material	Mod.nr ämne Dimension	Anm.	
Konstr.	Ritad	Kop.	Kontr.	Stand.	Godk.	Skala	Ersätter	Ersatt av
-	LH					1:10	INFO1	
							Objektnummer	Datum
							Ritningsnummer	Rev.
BJÖRNSTORPSVÄGEN 2 342 30 ALVESTA TFN +46 (0)472-445 00							-	180228
INFOSKÅP 2x3 A3 (HÄFTBAKGRUND) ArtNr: ,IN 6A3 H xx							,IN 6A3 H xx	

Nr.	Ant.	Ändring och/eller medd.-nr	Datum	Inf.	Godk.
-----	------	----------------------------	-------	------	-------